



MOONEY INTERNATIONAL CORPORATION
The Symbol of Performance™

MOONEY SPECIAL LETTER 15-17
Date: 9-21-2015

- SUBJECT:** To ADVISE MOONEY OWNERS/OPERATORS of the **LYCOMING Service Bulletin No. 621A (Supersedes Service Bulletins No. SB-621) Issued September 2, 2015 - Diaphragm-Type Fuel Pump Replacement (see attached).**
- MODELS/
S/N AFFECTED:** Per LYCOMING Service Bulletin No. 621A (Supersedes Service Bulletins No. SB-621) Issued September 2, 2015 - IO-320, -360, -390, -540; -580, AEIO-320, -360, -390, -540; HIO-360, LIO- 320-B1A, LIO-360, O-540-L3C5D, and TO-360-C1A6D (see attached).
- TIME OF
COMPLIANCE:** Per LYCOMING Service Bulletin No. 621A (Supersedes Service Bulletins No. SB-621) Issued September 2, 2015 - 50 hours from the issue date of this Service Bulletin or the next regularly scheduled maintenance event (whichever occurs first) (see attached).
- INTRODUCTION:** Per LYCOMING Service Bulletin No. 621A (Supersedes Service Bulletins No. SB-621) Issued September 2, 2015 - Incomplete review of all the information in this document can cause errors. Read the entire Service Bulletin to make sure you have a complete understanding of the requirements.

For the sake of clarity, this revision of SB-621A contains the same information as the original revision of SB-621 dated August 12, 2015. Unfortunately, an earlier premature revision of SB-621 dated July 24, 2015, which had slightly different warranty language, was inadvertently released in paper copy. This SB-621A is the official released edition and supersedes SB- 621 dated July 24, 2015 and SB-621 dated August 12, 2015.

This Service Bulletin is notification of a requirement to replace specific diaphragm-type fuel pumps identified herein as a corrective action in response to a confirmed non-conforming fuel pump in the field. Continued operation of a non-conforming fuel pump can cause fuel leakage out of the airframer's vent line or into the engine crankcase.(see attached).
- INSTRUCTIONS:** Per LYCOMING Service Bulletin No. 621A (Supersedes Service Bulletins No. SB-621) Issued September 2, 2015 - The steps in this procedure will identify the affected fuel pumps in a series of progressive checks. For a fuel pump to be affected and eligible for replacement, it must meet all of the criteria identified in this procedure (see attached for more detailed information).
- WARRANTY:** Refer to: **LYCOMING Service Bulletin No. 621A (Supersedes Service Bulletins No. SB-621) Issued September 2, 2015 - Diaphragm-Type Fuel Pump Replacement (see attached)**
- REFERENCE
DATA:** Refer to: **LYCOMING Service Bulletin No. 621A (Supersedes Service Bulletins No. SB-621) Issued September 2, 2015 - Diaphragm-Type Fuel Pump Replacement (see attached)**
- PARTS LIST:** Refer to: **LYCOMING Service Bulletin No. 621A (Supersedes Service Bulletins No. SB-621) Issued September 2, 2015 - Diaphragm-Type Fuel Pump Replacement (see attached)**



652 Oliver Street
Williamsport, PA 17701 U.S.A.

Tel. +1-800-258-3279 (U.S. and Canada)
Tel. +1-570-323-6181 (International)
Fax. +1-570-327-7101
www.lycoming.com

MANDATORY

SERVICE BULLETIN

DATE: September 2, 2015 Service Bulletin No. 621A
(Supersedes all versions of Service Bulletin No. 621)
Engineering Aspects are
FAA Approved

SUBJECT: Diaphragm-Type Fuel Pump Replacement

MODELS AFFECTED: IO-320, -360, -390, -540; -580, AEIO-320, -360, -390, -540; HIO-360, LIO-320-B1A, LIO-360, O-540-L3C5D, and TO-360-C1A6D

TIME OF COMPLIANCE: 50 hours from the issue date of this Service Bulletin or the next regularly scheduled maintenance event (whichever occurs first)

REASON FOR REVISION: For the sake of clarity, this revision of SB-621A contains the same information as the original revision of SB-621 dated August 12, 2015. Unfortunately, an earlier premature revision of SB-621 dated July 24, 2015, which had slightly different warranty language, was inadvertently released in paper copy. This SB-621A is the official released edition and supersedes SB-621 dated July 24, 2015 and SB-621 dated August 12, 2015.

NOTICE: Incomplete review of all the information in this document can cause errors. Read the entire Service Bulletin to make sure you have a complete understanding of the requirements.

This Service Bulletin is notification of a requirement to replace specific diaphragm-type fuel pumps identified herein as a corrective action in response to a confirmed non-conforming fuel pump in the field. Continued operation of a non-conforming fuel pump can cause fuel leakage out of the airframer’s vent line or into the engine crankcase.

NOTICE: Each fuel pump has a 13-digit alphanumeric manufacturer’s code, which begins with two letters as shown in the example in Figure 1. The alphanumeric characters in the manufacturer’s code and its location on the fuel pump will help identify the fuel pumps affected by this Service Bulletin. The first two characters in the example manufacturer’s code RC20150620703 in Figure 1 are **RC**. The next two numbers **20** identify the manufacturing week of the year as **20** and **15** is the year. The manufacturer’s code is on the fuel pump flange or on the web as shown in Figure 1. If the manufacturer’s code is on the flange as in the example in Figure 2, the fuel pump is not affected by this Service Bulletin.

In the “Required Action” procedure herein, remove any affected fuel pumps from your engines and from your spares inventory to be in compliance with this Service Bulletin.

This Service Bulletin No. SB-621 supersedes SB-615 and SB-617. Regardless of whether or not you have complied with Service Bulletins SB-615 and SB-617, **you must return an affected fuel pump identified in SB-621 for a replacement conforming fuel pump** per the “Required Action” procedure in this Service Bulletin.



ISSUED			REVISED			PAGE NO.	REVISION
MO	DAY	YEAR	MO	DAY	YEAR		
08	12	15	09	02	15	1 of 3	A

Required Action:

NOTICE: The steps in this procedure will identify the affected fuel pumps in a series of progressive checks. For a fuel pump to be affected and eligible for replacement, it must meet **all** of the criteria identified in this procedure.

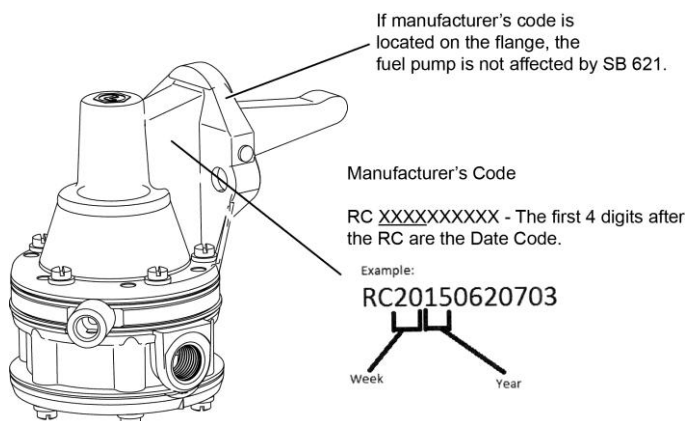


Figure 1
Manufacturer's Code Location on
Fuel Pump P/Ns 62B26931 and LW-16335

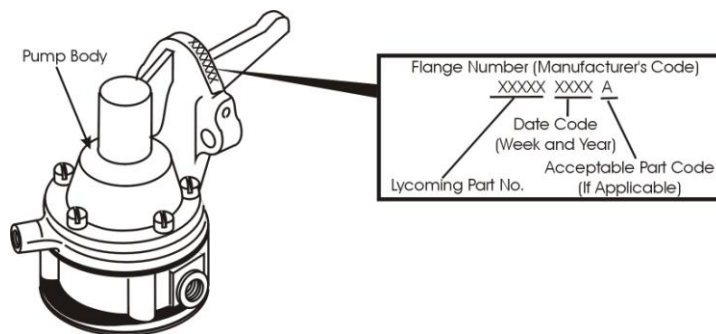


Figure 2
Manufacturer's Code on the Flange
(Fuel Pump Is NOT affected by SB-621)

A fuel pump installed on engines or in the spares inventory is affected by this Service Bulletin:

1. If the fuel pump is Lycoming part number 62B26931 or LW-16335.
2. If the manufacturer's code is not on the flange but is on the web or other parts of the fuel pump.
3. If the fuel pump has **RC** (Figure 1) as the first two letters of the manufacturer's code.
4. If the manufacturer's code identifies the fuel pump as manufactured before, up to, and including the 25th week of 2015.

If any fuel pump meets **all** the criteria above, remove the fuel pump from the engine or from the spares inventory and:

- A. Review your records to identify shipping dates of the serial numbers of any of the affected fuel pumps.
- B. Return all affected fuel pumps to Lycoming Engines with a copy of this Service Bulletin and file a warranty claim per the warranty procedure herein.
- C. Record removal of the fuel pump installed on the engine in the engine logbook.

Warranty Instructions and Replacement Parts for Engines/Parts Affected by Service Bulletin No. 621

1. Contact an Authorized Lycoming Distributor to order a replacement fuel pump.
2. Upon receipt, complete the installation procedure.
3. Return the removed fuel pump to Lycoming Engines through the same Authorized Lycoming Distributor that ordered the replacement fuel pump and file a warranty claim for:
 - A. Reimbursement of the replacement parts.
 - B. Associated Freight.
 - C. Removal and Reinstallation Labor Allowance of not more than 1.5 hours.

ISSUED			REVISED			PAGE NO.	REVISION	S.B. 621
MO	DAY	YEAR	MO	DAY	YEAR			
08	12	15	09	02	15	2 of 3	A	

4. In the event that a genuine Lycoming fuel pump is not available, an FAA approved PMA fuel pump may be installed. Lycoming will honor the warranty claim for reimbursement of the PMA component when accompanied with a copy of the original invoice.

If you have any questions, contact Lycoming Field Service by phone at 570-327-7222 or 877-839-7878.

NOTICE: Warranty consideration is available for 12 months from the date of issue of this Service Bulletin.

ISSUED			REVISED			PAGE NO.	REVISION	S.B. 621
MO	DAY	YEAR	MO	DAY	YEAR			
08	12	15	09	02	15	3 of 3	A	